

### Application:

The pressure independent control valve “Cocon QTR” is designed to be installed in heating and cooling systems with closed water circuit (e.g. central or underfloor heating systems, fan coil units, chilled ceilings, fan convectors etc.) with closed circuits for an automatic flow control (hydraulic balancing) and room temperature control by modifying the flow rate in conjunction with actuators.

### Technical data:

Max. operating temperature: +120 °C  
 Min. operating temperature: -20 °C  
 Max. operating pressure: 16 bar (1600 kPa)  
 Max. differential pressure: 4 bar (400 kPa)  
 Fluid: Water or mixtures of water and ethylene/propylene-glycol (max. 50 %), ph value 6.5-10

Max. closing pressure in the flow direction: 16 bar (1600 kPa)

### Control range:

Item no.:	DN	Control range [m³/h] (min.-max.)	kvs-value	Differential pressure p1-p3 (min.-max.)
1146112	40	1.5 - 7.5	11.5	0.2 bar-4 bar (20 kPa-400 kPa)
1146172	40	1.5 - 7.5	11.5	
1146116	50	2.5 - 10.0	15.0	
1146174	50	2.5 - 10.0	15.0	

\* Recommended lowest setting; starting from the set value, the flow rate can be reduced up to complete isolation with a suitable actuator.

### Materials:

Bronze body, seals made of EPDM or PTFE, inner parts made of DZR brass, maintenance-free stem seal due to double O-ring.

### Models:

Measuring technique “classic”, both ports female thread according to EN 10226 or both ports male thread

### Function:

The Oventrop pressure independent control valve “Cocon QTR” is a valve combination consisting of an automatic flow regulator (with manually adjustable nominal value) and a regulating valve which may be equipped with an actuator.

### Advantages:

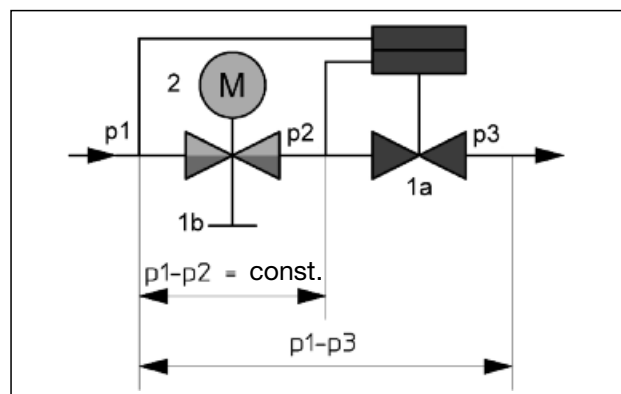
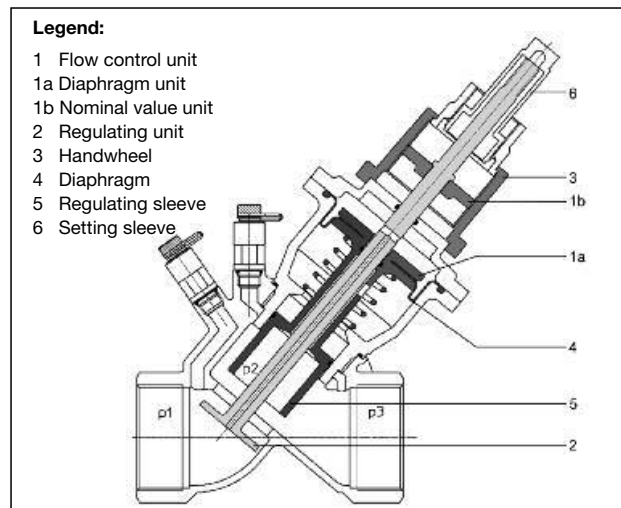
- the nominal value can be set even with the actuator in place
- the set nominal value can be read off even with the actuator in place
- good optical display of the presetting values in different installation positions
- nominal values can be read off in [m³/h] without conversion
- lockable and lead lockable presetting
- constant, high valve authority
- optimisation of the installation by control pressure measurement
- linear characteristic line if actuator driven

### Accessories:

Lead locking set, item no. 1089091



“Cocon QTR”



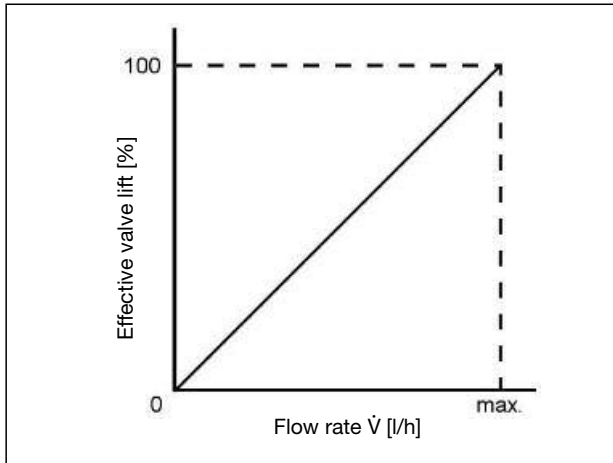
The illustrated section of the pressure independent control valve “Cocon QTR” shows three pressure ranges. “p1” is the inlet and “p3” the outlet pressure of the valve. “p2” is the pressure actuating the diaphragm unit (pos. 1a) and maintaining the differential pressure “p1” – “p2” at a constant level.

## “Cocon QTR” Bronze pressure independent control valve with automatic flow control

The integrated diaphragm unit (pos. 1 a) maintains the differential pressure “p1” – “p2” at a constant level via the regulating unit (pos. 2) which is activated through the actuator and via the nominal value unit (pos. 1 b) which can be set to a maximum flow value. Even where high differential pressure variations “p1” – “p3” occur, e.g. if sections of the system are activated or inactivated, the differential pressure “p1” – “p2” is kept at a constant level.

This way, the valve authorities of 100% are maintained ( $a=1$ ). Even during low demand periods with steady control (e.g. in conjunction with 0-10 V actuators), the valve authority within the effective valve lift amounts to 100% ( $a=1$ ).

The “Cocon QTR” valve has a linear characteristic line within the effective valve lift and is advantageous when using actuators which also have a linear stroke behaviour across the control voltage.



Characteristic line of the “Cocon QTR” valve

### Application:

Oventrop pressure independent control valves “Cocon QTR” are used in central heating systems and chilled ceilings with circulation pump for flow and room temperature control.

The “Cocon QTR” valves can be used with the following Oventrop actuators:

The setting sleeve (spanner size 17 mm) has to be unscrewed. The installation instructions supplied with the actuator have to be observed!

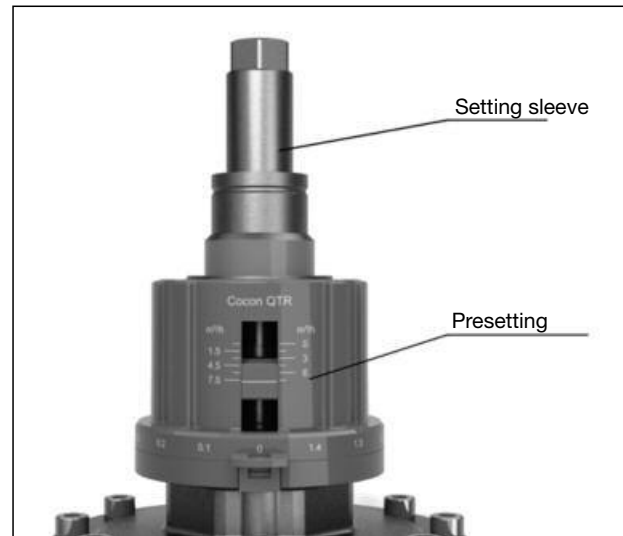
### Models:

Models:	Item no.:
Actuator with squeeze connection (DN 40/50) 24 V, steady control 0-10 V	1158010
Actuator with squeeze connection (DN 40-100) 24 V, steady control 0-10 V and 4-20 mA	1158020
Actuator with squeeze connection (DN 40-100) 24 V, steady control 0-10 V and 4-20 mA with spring return (valves opening with current “off”)	1158021
Actuator with squeeze connection (DN 40-100) 24 V, steady control 0-10 V and 4-20 mA with spring return (valves closing with current “off”)	1158022

### Setting of the flow rate:

The required flow rate can be set with the help of the handwheel and the setting sleeve.

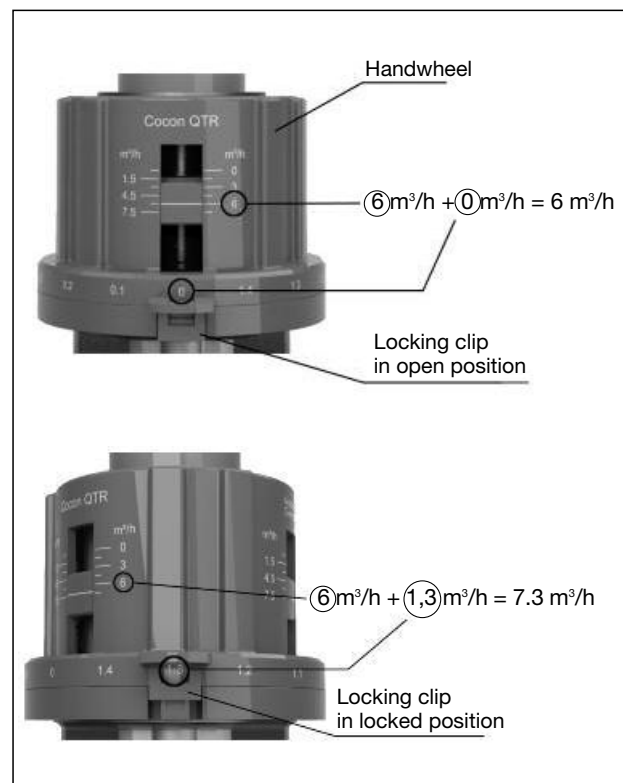
The setting can only be modified after releasing the setting sleeve.



Setting sleeve

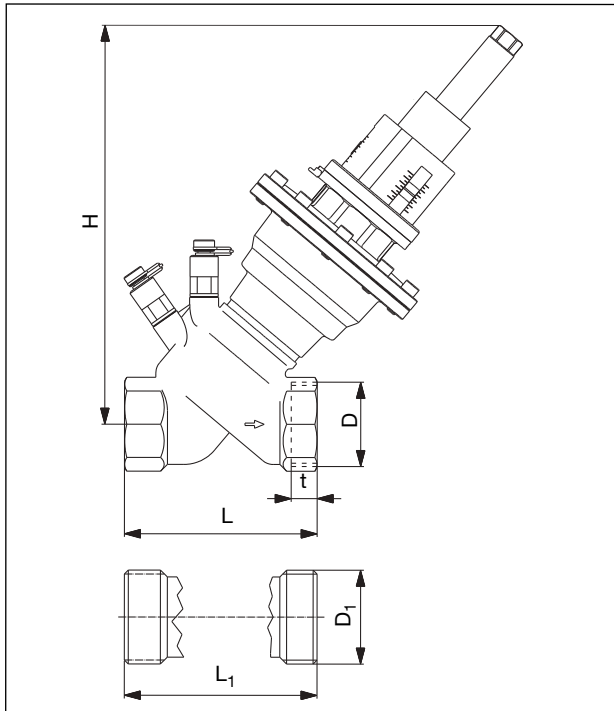
### Protection and locking:

The presetting can be secured and lead locked with a locking clip.



Example settings

**“Cocon QTR” Bronze pressure independent control valve  
with automatic flow control**



DN	D	D <sub>1</sub>	L	L <sub>1</sub>	t	H
40	Rp 1½	–	120	–	19.1	245
	–	G 1¾	–	120	–	245
50	Rp 2	–	150	–	25.7	255
	–	G 2⅝	–	150	–	255

Dimensions

**Installation:**

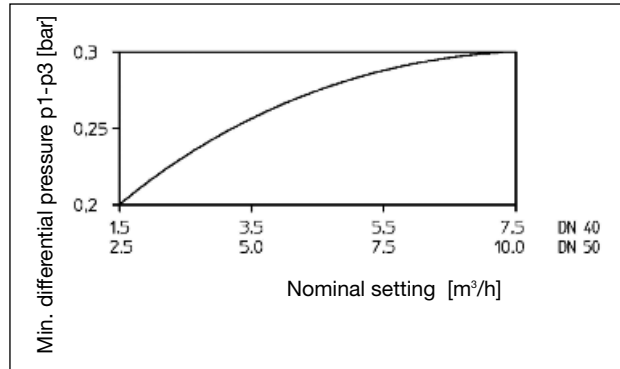
- The direction of flow must conform to the arrow on the valve body.
- The valve may be installed in any position (electric actuators may not be installed vertically downwards).
- Do not use any lubricant or oil when installing the valve as these may destroy the valve seals; if necessary, all dirt particles and lubricant or oil residues must be removed from the pipework by flushing the latter.
- Any tension which could be transferred through the pipework must be avoided.
- When choosing the operating fluid, the latest technical development has to be considered (e.g. VDI 2035).
- Isolating valves for maintenance are to be installed in front and behind the valve respectively the system section.
- A strainer has to be installed in the supply pipe in case of contaminated operating fluids (see VDI 2035).
- The correction factors of the manufacturers of the antifreeze liquids have to be considered when setting the flow rate.
- Once installation is completed, check all installation points for leaks.

**Min. differential pressure p<sub>1</sub>-p<sub>3</sub> for valve design:**

The minimum required differential pressure p<sub>1</sub>-p<sub>3</sub> across the valve can be taken from the following chart.

Explanation regarding the chart:

For valves with integrated flow control, the required min. differential pressure varies depending on the set nominal value. The relevant mathematical correlation has been taken into account in the chart.

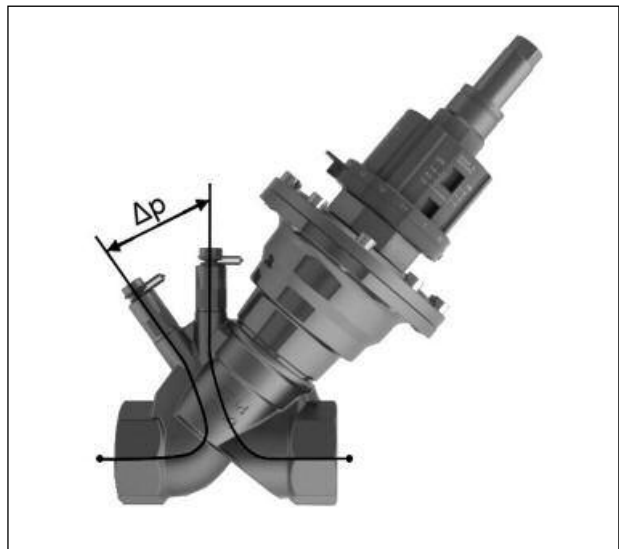


Max. differential pressure 4 bar (400 kPa)

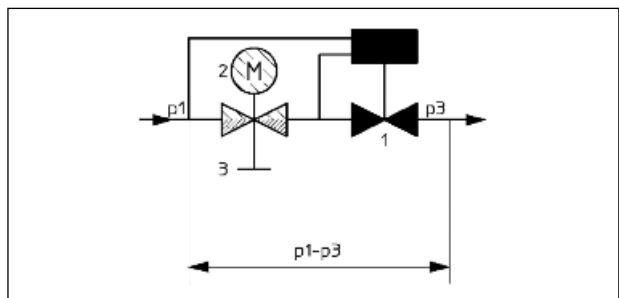
**Pressure test points:**

The flow-meter “OV-DMC 2” can be connected to the pressure test points. This will confirm if the valve is working within the control range. The pump setting can be optimised by measuring the differential pressure.

For this purpose, the pump head is reduced until the hydraulically underprivileged valves are just working within the control range. The minimum differential pressures have to be considered. As soon as the measured differential pressure is identical with or higher than the minimum differential pressure p<sub>1</sub>-p<sub>3</sub>, the valve is working within the control range.



Differential pressure



With a flow meter connected (e.g. “OV-DMC 2”), the differential pressure (p<sub>1</sub>-p<sub>3</sub>) is measured across the valve.

OVENTROP GmbH & Co. KG  
Paul-Oventrop-Straße 1  
D-59939 Olsberg  
Phone +49 (0)29 62 82-0  
Fax +49 (0)29 62 82-450  
E-Mail mail@oventrop.de  
Internet www.oventrop.com

For an overview of our global presence visit [www.oventrop.com](http://www.oventrop.com).

Subject to technical modifications.

Product range 3  
ti 238-EN/10/MW  
Edition 2015