

**More compact, lighter, cleaner and even more efficient.**

For use in sealed heating and cooling systems. Dirt separators protect the boilers, pumps and fittings from damage caused by the deposit of dirt particles. Dirt separators also offer benefits in the event of application in old systems or when an open system is converted to a closed system.

- Prevents deposit of dirt particles in the boiler.
- The removal of dirt particles from the system water extends the service life of pumps, control equipment and other system accessories.

The Flamco Clean Smart dirt separators remove even minuscule dirt particles from the system water. They are virtually maintenance-free and the flow resistance is negligibly low.

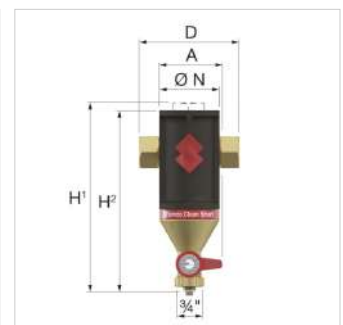
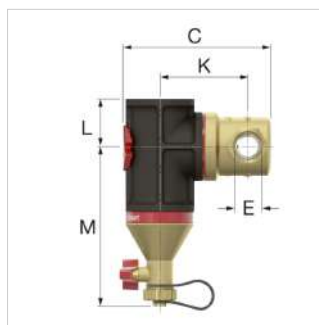



**Advantages**

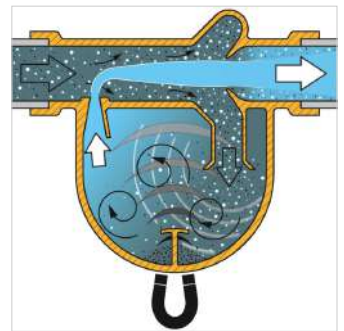
- 60% better performance compared to conventional separators.
- Flow velocity up to 3 m/s.
- Four neodymium supermagnets are incorporated into the logo.
- Can be used with all kinds of pipework.
- Compact dimensions, light weight.
- Extremely low flow resistance and low loss of energy.
- Consistent performance throughout its service life.

**Technical Specifications**

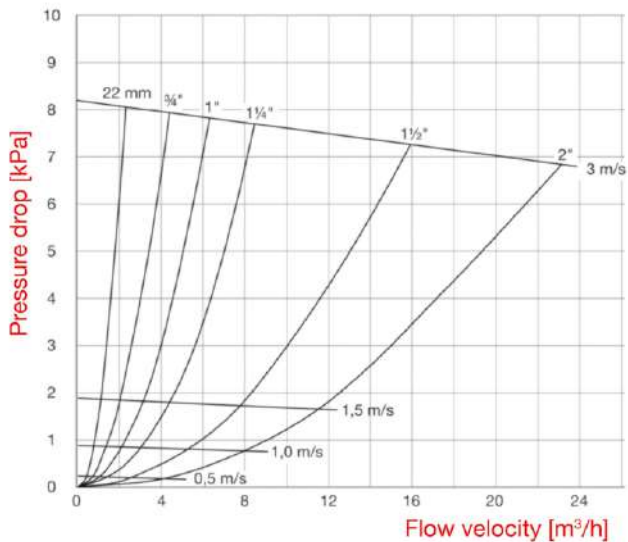
- Materials: brass and high-quality plastic.
- Minimum/Maximum working temperature: -10 °C / 120 °C.
- Minimum/Maximum system pressure: 0,2 bar / 10 bar.
- Suitable for addition of glycol-based anti-freeze up to 50%.



Type	Connection (E)	Dimensions									Weight [kg]		Order Code
		A [mm]	C [mm]	D [mm]	K [mm]	L [mm]	M [mm]	H/H1 [mm]	H2 [mm]	Ø N [mm]			
Flamco Clean Smart 22	22 mm	63	136	120	78	37	140	200	177	60	0.98	1	30022
Flamco Clean Smart $\frac{3}{4}$ "	G $\frac{3}{4}$ " F	63	133	100	78	37	140	190	177	60	0.94	1	30021
Flamco Clean Smart 1"	G 1" F	76	155	106	91	44	179	231	223	75	1.11	1	30023
Flamco Clean Smart 1 $\frac{1}{4}$ "	G 1 $\frac{1}{4}$ " F	76	165	110	96	44	179	233	223	75	1.26	1	30024
Flamco Clean Smart 1 $\frac{1}{2}$ "	G 1 $\frac{1}{2}$ " F	94	193	129	109	54	212	277	266	92	1.72	1	30025
Flamco Clean Smart 2"	G 2" F	94	206	140	117	54	212	282	266	92	2.15	1	30026



Selection table for Flamcovent & Clean Smart series



**Find more information online:**

[Installation and operating instruction](#)

[Statement of Conformity](#)

[Flamco Clean Smart ADSK](#)

[Flamco Clean Smart ADSK Revit](#)

[Flamco Clean Smart DWG](#)

[Flamco Clean Smart STEP](#)

[Export catalogue](#)

[Smart Brochure](#)

[Specification Text](#)

[Packaging data](#)

[Flamcovent & Clean Smart](#)

Fort Blauwkapel 1  
1358 DB, Almere - nl

T +31 (0)36 52 62 300  
E [info@aalberts-hfc.com](mailto:info@aalberts-hfc.com)  
I [flamcogroup.com](http://flamcogroup.com)