

More compact, lighter, cleaner and more efficient

For use in sealed heating and cooling systems. Air and dirt separators protect the boilers, pumps and fittings from damage caused by the deposit of dirt particles, increase comfort and improve the yield. Air and dirt separators also offer benefits in the event of application in old systems or when an open system is converted to a closed system.

- Increases comfort and yield.
- Prevents deposit of dirt particles in the boiler.
- The removal of air and dirt from the system water extends the service life of pumps, control equipment and other system accessories.

The Flamcovent Clean Smart air and dirt separators remove even the smallest microbubbles and minuscule dirt particles from the system water. They are virtually maintenance-free and the flow resistance is negligibly low.

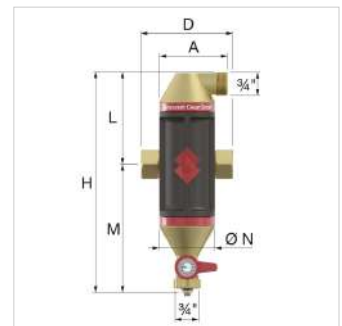
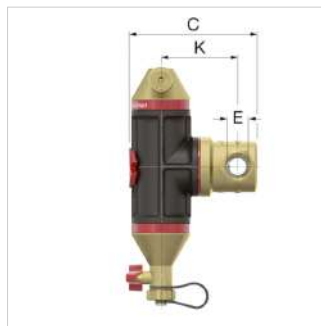



Advantages

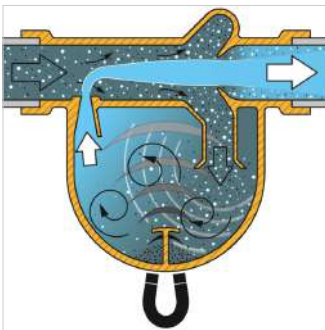
- 60% better performance compared to conventional separators.
- Flow velocity up to 3 m/s.
- Four neodymium supermagnets are incorporated into the logo.
- Can be used with all kinds of pipework.
- Compact dimensions, light weight.
- Extremely low flow resistance and low loss of energy.
- Consistent performance throughout its service life.

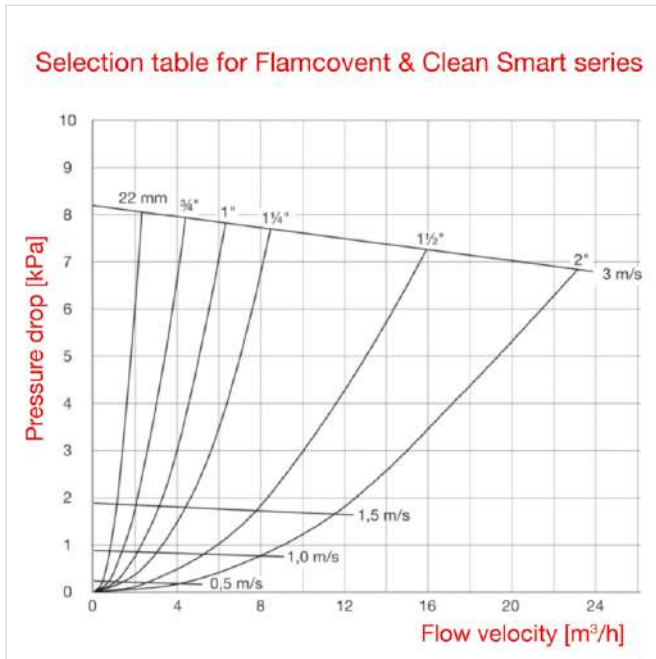
Technical Specifications

- Materials: brass and high-quality plastic.
- Minimum/Maximum operating temperature: -10 °C / 120 °C.
- Minimum/Maximum system pressure: 0,2 / 10 bar.
- Minimum/Maximum operating pressure: 0,2 / 6 bar.
- Suitable for addition of glycol-based anti-freeze up to 50%.



Type	Connection (E)	Dimensions								Weight [kg]		Order Code
		A [mm]	C [mm]	D [mm]	K [mm]	L [mm]	M [mm]	H/H1 [mm]	Ø N [mm]			
Flamcovent Clean Smart 22	22 mm	74	136	120	78	101	140	241	60	1.2	1	30042
Flamcovent Clean Smart $\frac{3}{4}$	G $\frac{3}{4}$ " F	74	133	100	78	101	140	241	60	1.2	1	30041
Flamcovent Clean Smart 1	G 1" F	82	155	106	91	139	179	318	75	1.5	1	30043
Flamcovent Clean Smart 1 $\frac{1}{4}$	G 1 $\frac{1}{4}$ " F	82	165	110	96	139	179	318	75	1.6	1	30044
Flamcovent Clean Smart 1 $\frac{1}{2}$	G 1 $\frac{1}{2}$ " F	94	193	129	109	173	212	385	92	2.2	1	30045
Flamcovent Clean Smart 2	G 2" F	94	206	140	117	173	212	385	92	2.6	1	30046





Find more information online:

[Installation and operating instruction](#)
[Statement of Conformity](#)
[Flamcovent Clean Smart ADSK](#)
[Flamcovent Clean Smart ADSK Revit](#)
[Flamcovent Clean Smart DWG](#)
[Flamcovent Clean Smart STEP](#)
[Export catalogue](#)
[Smart Brochure](#)
[Specification Text](#)
[Packaging data](#)
[Flamcovent & Clean Smart](#)

Fort Blauwkapel 1
1358 DB, Almere - nl

T +31 (0)36 52 62 300
 E info@aalberts-hfc.com
 I flamcogroup.com