

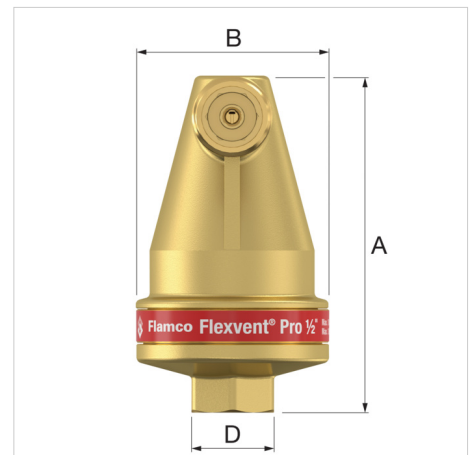
The compact, proven design has high efficiency and guaranteed operation for heating and air conditioning. The water within the installation contains air which can form corrosion and reduce the thermal transfer. A Flexvent is fitted at places where the air collects.

### Advantages

- Equipped with bubble breaker.
- The cap of the Flexvent Pro is conical in shape. The advantage of this construction is that the clearance between the water level and venting valve is maximized.
- The air escape duct can be opened or closed with an adjusting screw.
- The venting valve forms an integral part of the cap, so that it is impossible to damage the float vent mechanism from outside.

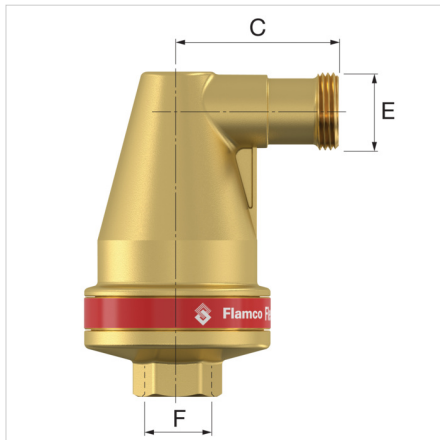
### Technical Specifications

- Outlet: G 3/4" M.
- Suitable for addition of glycol-based anti-freeze up to 50%.
- Minimum/Maximum working temperature: -10 °C / 120 °C.
- Minimum/Maximum working pressure: 0.2 / 12.0 bar.



Description	Flexvent Pro Rp1/2"	
Order Code	28519	
GTIN	08712874285194	
Model	<u>Flexvent Pro</u>	
Dimensions	A [mm]	110
	B Ø [mm]	63
	C [mm]	54,5
	D (wrench size)	27
Connection	E	G 3/4" M
	F	Rp 1/2"
Shut-off valve	no	





### Classification General Data

Etim Group	Measuring and control devices
Etim Class	De-aerator (automatic)
Product Name	Flexvent Pro Rp1/2"
Brand	Flamco
Product Type	1/2

### Attributes

Housing material	Brass
Material valve	Other
Material float	Other
Nominal diameter	1/2 inch (15)
Outer pipe diameter [mm]	21.3
Connection 1	Internal thread cylindrical BSPT-Rp (ISO 7-1 / EN 10226-1)
Max. operating pressure at 20 °C [bar]	12
Max. medium temperature (continuous) [°C]	120
Surface protection	Untreated
Height [mm]	110
Lockable	No

### Find more information online:

[Installation and operating instruction](#)

[Declaration of conformity PED 2014/68/EU](#)

[FM approval](#)

[Certificate FM Flexvent Pro](#)

[Flexvent Pro DWG](#)

[Flexvent Pro STEP](#)

[Flexvent Pro RFA](#)

[Export catalogue](#)

[Packaging data](#)

Flamco Group  
Fort Blauwkapel 1  
1358 DB, Almere - nl

T +31 (0)36 52 62 300  
E [info@aalberts-hfc.com](mailto:info@aalberts-hfc.com)  
I [flamcogroup.com](http://flamcogroup.com)